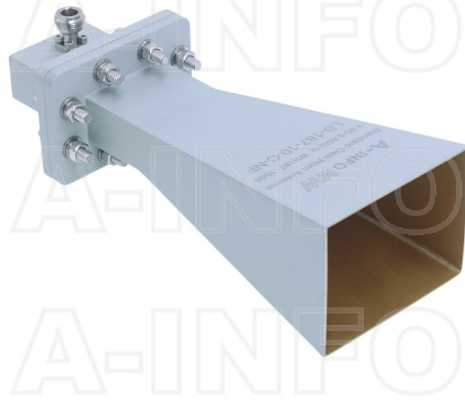


LB-187-10-C-NF Standard Gain Horn Antenna 3.95-5.85GHz 10dB Gain N Type Female



Standard Gain Horn Antenna Operating From 3.95GHz to 5.85GHz With a Nominal 10dB Gain With N Type Female Connector

Product Information

SKU	LB-187-10-C-NF
-----	----------------

Description

Standard Gain Horn Antenna LB-187-10-C-NF, operating from 3.95 to 5.85GHz with a nominal 10dB gain and low VSWR 1.25:1 with N Type Female connector output. The model LB-187-10-C-NF has uniform gain through its frequency span, providing efficient performance characteristics and directionality. It can handle 150W continuously and 3000W peak power. Constructed of lightweight corrosion-resistant aluminum, the antenna will provide years of trouble-free indoor and outdoor service. This standard gain horn antenna is linearly polarized and ideally suited for EMI testing, direction finding, surveillance, antenna gain and pattern measurements and other applications.

Technical Specification

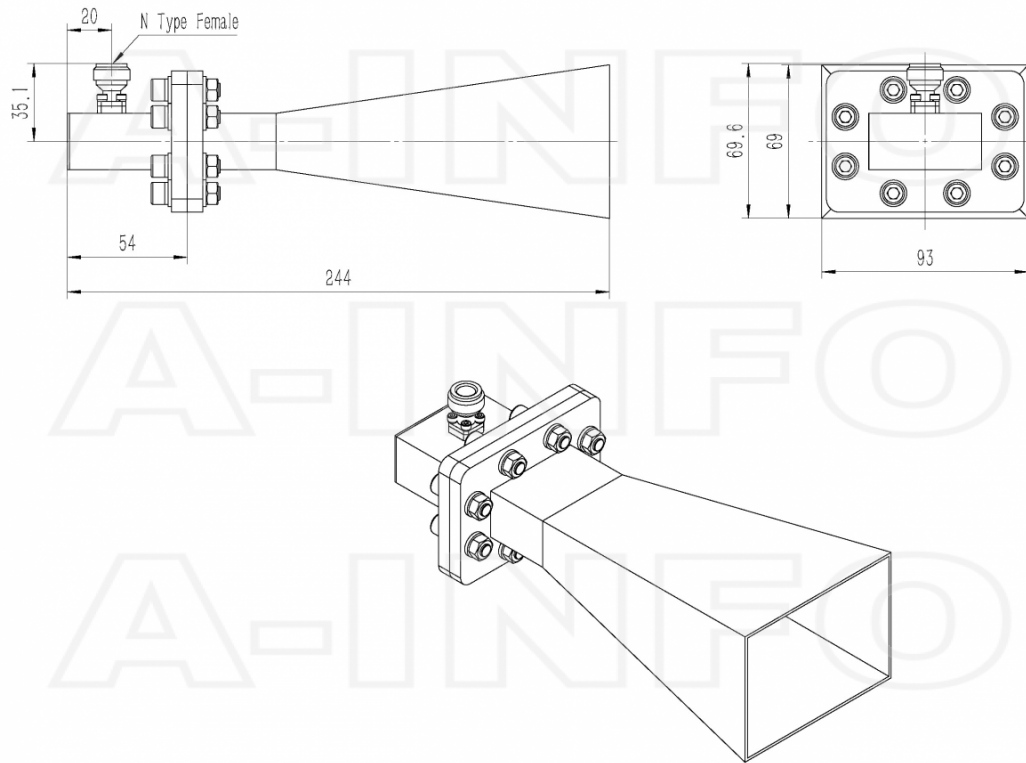
Electrical Specification		Interface	
Frequency, Min (GHz)	3.95	Output Type	Coaxial
Frequency, Max (GHz)	5.85	Connector	N Type
Waveguide Type	Rectangular	Connector Gender	Female
Waveguide Size EIA WR	WR187	Mechanical Specification	
Gain, Typ (dBi)	10	Figure	C Type
Polarization	Linear	Body Material	Al
3dB Beamwidth, E-Plane, Typ (Deg.)	43	Finish	Chemical Conversion Coating, Gray Paint
3dB Beamwidth, H-Plane, Typ (Deg.)	40	Size, W (mm)	93
Cross Pol. Isolation, Typ (dB)	35	Size, H (mm)	69.6
VSWR, Typ	1.25:1	Size, L (mm)	244
Impedance, (Ohm)	50	Weight, (kg)	0.5
Power Handling, CW, (W)	150		
Power Handling, Peak, (W)	3000		

Additional Information

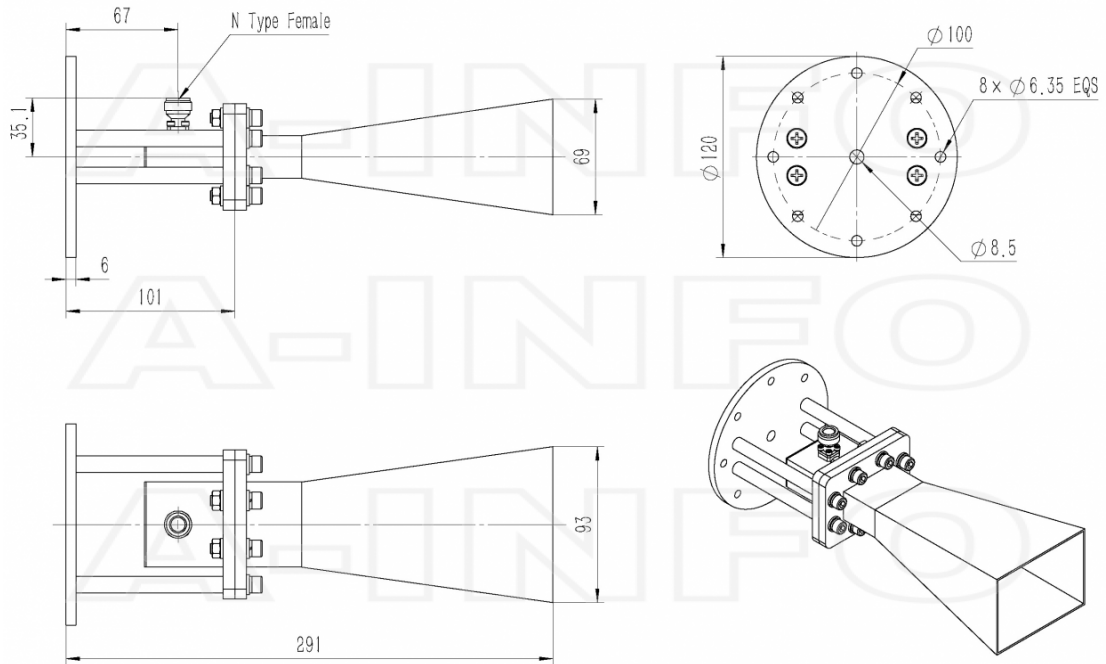
Application	General Purpose Indoor & Outdoor, Fixed	Solution for	Gain Reference Antenna Measurement Reflector Feed Far-field Measurement System Intergration Material Measurement
-------------	---	--------------	---

Outline Drawing

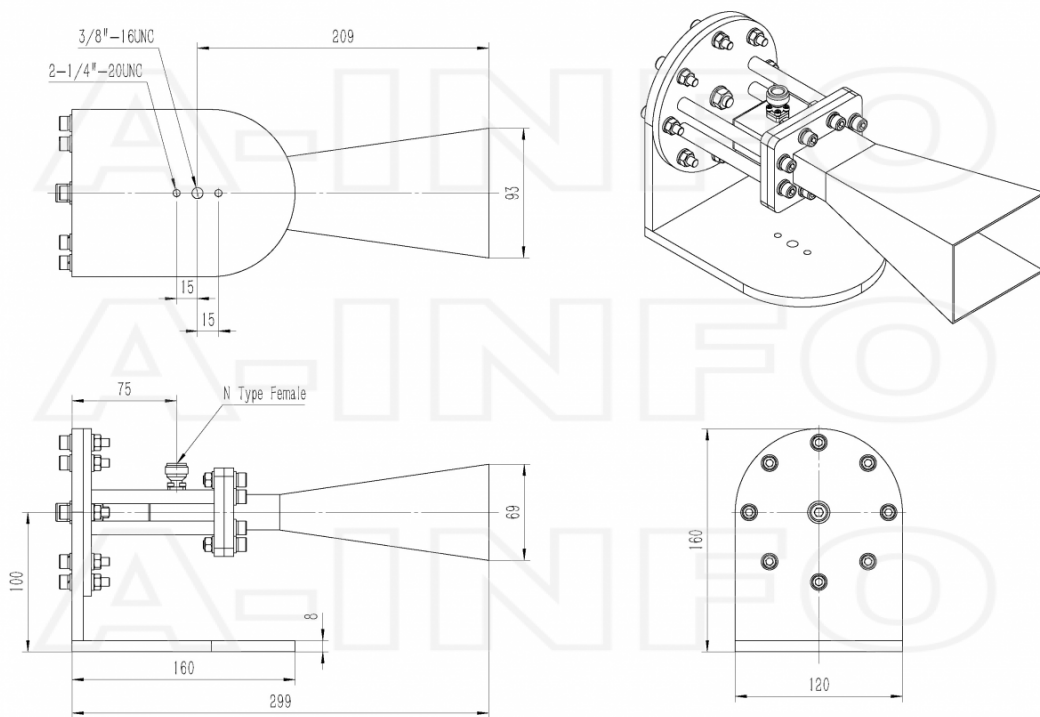
N-Female Output (P/N: LB-187-10-C-NF)



N-Female Output with Round Mounting Bracket (Option, P/N: LB-187-10-C-MB)

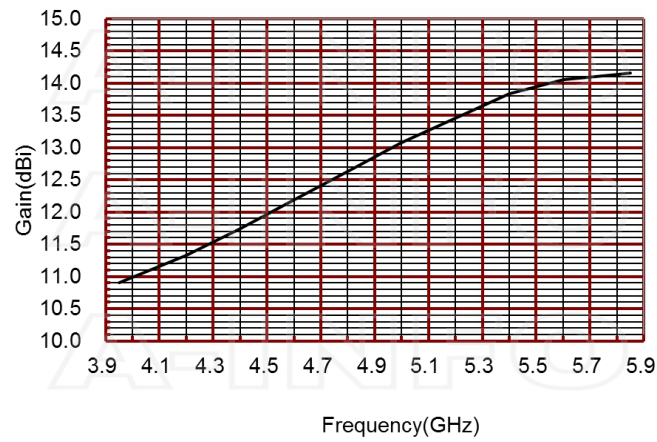


N-Female Output with L Type Mounting Bracket (Option, P/N: LB-187-10-C-MBL)

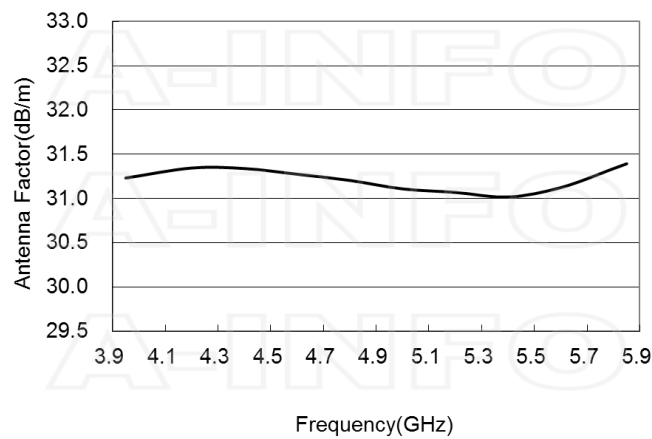


Typical Test Results

Gain



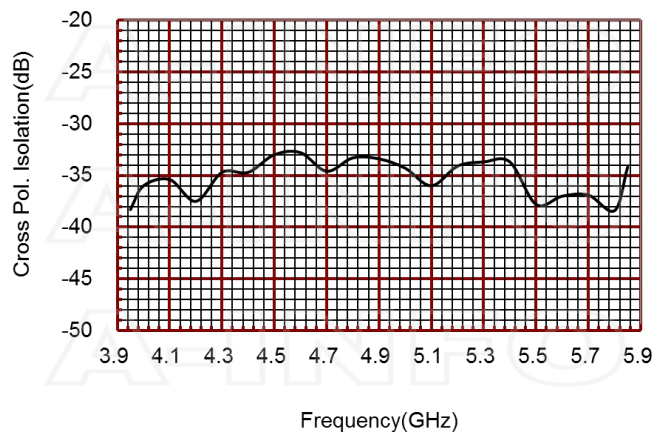
Antenna Factor



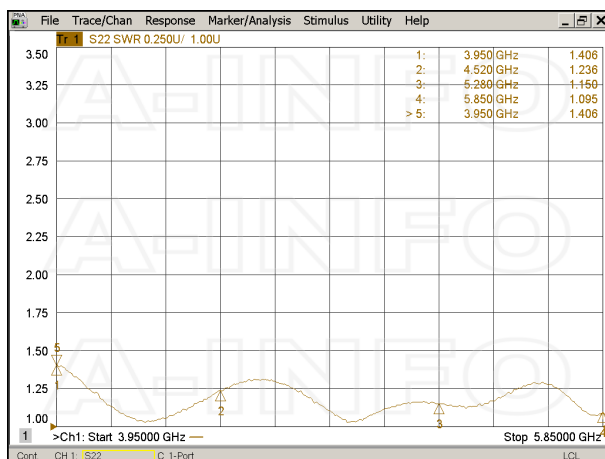
Antenna Factor (Table)

Frequency(GHz)	Gain(dBi)	Antenna Factor(dB/m)
3.95	10.91	31.23
4.20	11.33	31.34
4.40	11.74	31.34
4.60	12.19	31.28
4.80	12.63	31.20
5.00	13.08	31.11
5.20	13.46	31.07
5.40	13.84	31.02
5.60	14.05	31.12
5.80	14.14	31.34
5.85	14.16	31.39

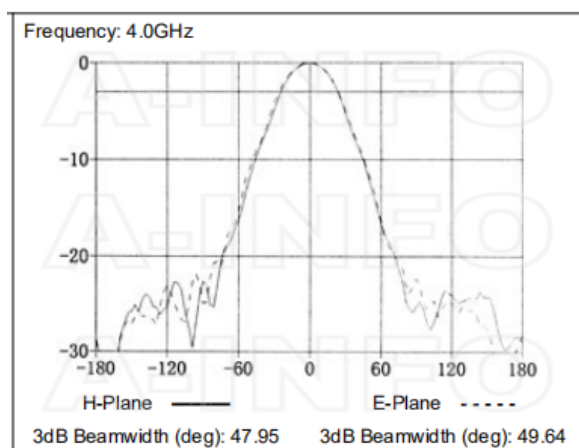
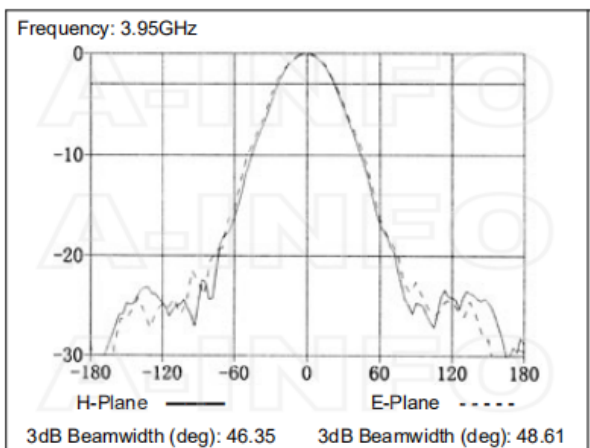
Cross Polarization Isolation

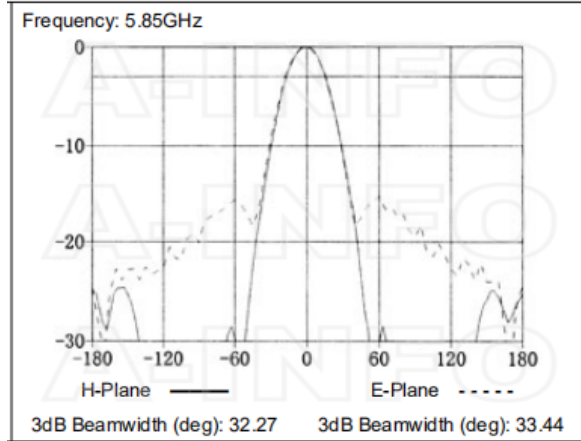
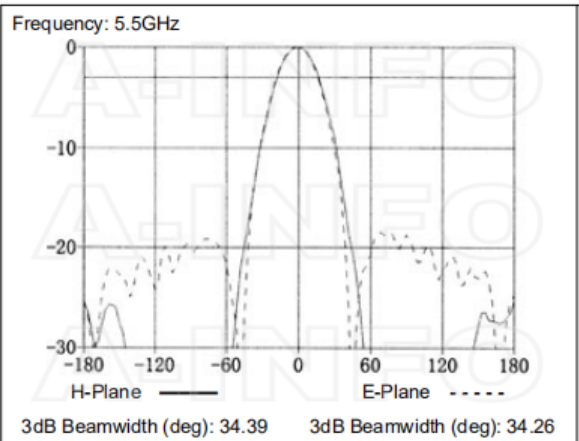
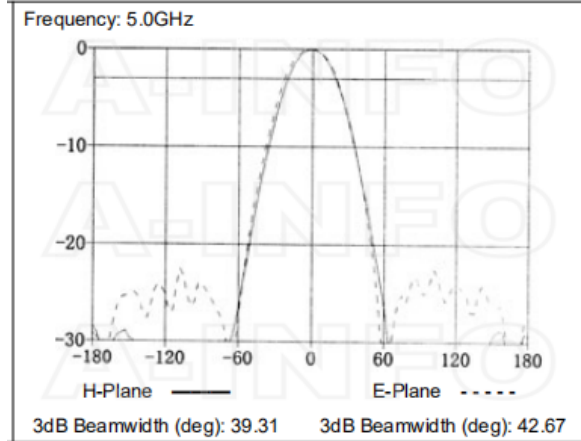
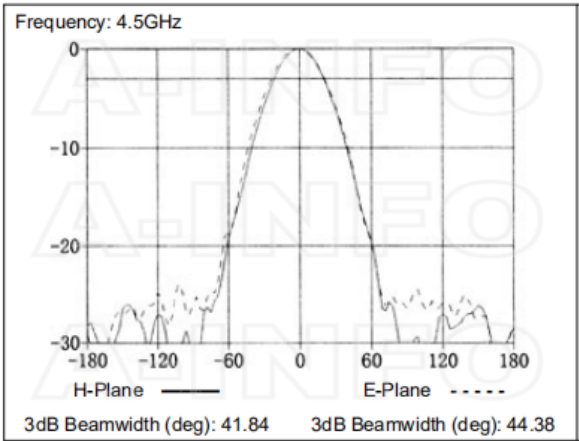


VSWR



Pattern





Related Products



LB-187-10-C-MB Round Type Mounting Bracket



LB-187-10-C-MA Stinger Type Mounting Bracket



LB-187-10-C-MBL L type mounting bracket



Carrying Case_LB-187-10-C Al Alloy Carrying Case



M6x30 Hex_Pack WR284-WR159 Flange Assembly Pack



NM-NM-A050-1000 Flexible Cable Assembly 1000mm DC-18GHz N Male to N Male



NM-NM-A050-1500 Flexible Cable Assembly 1500mm DC-18GHz N Male to N Male



NM-NM-A050-2000 Flexible Cable Assembly 2000mm DC-18GHz N Male to N Male



NM-NM-A050-3000 Flexible Cable Assembly 3000mm DC-18GHz N Male to N Male



NM-NM-A050-5000 Flexible Cable Assembly 5000mm DC-18GHz N Male to N Male



NM-NM-A050-10000 Flexible Cable Assembly 10000mm DC-18GHz N Male to N Male



NM-NM-A050-20000 Flexible Cable Assembly 20000mm DC-18GHz N Male to N Male



NM-NM-A100-500 Flexible Cable Assembly 500mm DC-18GHz N Male to N Male



NM-NM-A100-1000 Flexible Cable Assembly 1000mm DC-18GHz N Male to N Male



NM-NM-A100-1500 Flexible Cable Assembly 1500mm DC-18GHz N Male to N Male



NM-NM-A100-2000 Flexible Cable Assembly 2000mm DC-18GHz N Male to N Male



NM-NM-A100-3000 Flexible Cable Assembly 3000mm DC-18GHz N Male to N Male



NM-NM-A100-5000 Flexible Cable Assembly 5000mm DC-18GHz N Male to N Male



NM-NM-A100-10000 Flexible Cable Assembly 10000mm DC-18GHz N Male to N Male



NM-NM-A100-20000 Flexible Cable Assembly 20000mm DC-18GHz N Male to N Male

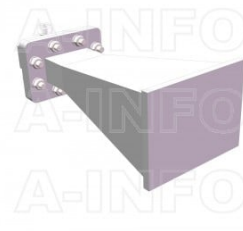
Similar Products



LB-187-10-A Standard Gain Horn Antenna 3.95-5.85GHz 10dB Gain Rectangular Waveguide Interface



LB-187-10-ASPO Standard Gain Horn Antenna 3.95-5.85GHz 10dB Gain Rectangular Waveguide Interface



LB-187-10-C-NFSPO Standard Gain Horn Antenna 3.95-5.85GHz 10dB Gain N Type Female



LB-187-10-C-SF Standard Gain Horn Antenna 3.95-5.85GHz 10dB Gain SMA Female



LB-187-10-C-SFSPO Standard Gain Horn Antenna 3.95-5.85GHz 10dB Gain SMA Female



LB-187-10-C-TF Standard Gain Horn Antenna 3.95-5.85GHz 10dB Gain TNC Female



LB-187-10-C-TFSPO Standard Gain Horn Antenna 3.95-5.85GHz 10dB Gain TNC Female



LB-187-10-C-7 Standard Gain Horn Antenna 3.95-5.85GHz 10dB Gain 7mm



LB-187-10-C-7SPO Standard Gain Horn Antenna 3.95-5.85GHz 10dB Gain 7mm



LB-187-10-C-3.5F Standard Gain Horn Antenna 3.95-5.85GHz 10dB Gain 3.5mm Female



LB-187-10-C-3.5FSPO Standard Gain Horn Antenna 3.95-5.85GHz 10dB Gain 3.5mm Female

About this Datasheet

<ul style="list-style-type: none"> ● Product Information Product Link: https://www.ainfoinc.com/lb-187-10-c-nf-standard-gain-horn-antenna-3-95-5-85-ghz-10db-gain-n-type-female Data subject to change without notice. © A-INFO INC. 2023. All Rights Reserved 	<ul style="list-style-type: none"> ● Contact Us Address:dd 60 Tesla, Irvine, CA 92618, USA Website: www.ainfoinc.com Email: sales@ainfoinc.com 	<ul style="list-style-type: none"> ● Phone & Fax Phone: +1-949-639-9688 +1-949-639-9608 Fax: +1-949-639-9670
---	--	---